

ENIGER



Owner's Manual

Manuel d'utilisation

Model No.
91000



WARNING

FOR YOUR SAFETY:

For Outdoor Use Only
(outside any enclosure)



AVERTISSEMENT

POUR VOTRE SÉCURITÉ:

À utiliser uniquement à l'extérieur
(hors de tout espace clos)



WARNING

FOR YOUR SAFETY:

Improper installation, adjustment, alteration, service or maintenance can cause injury or property damage. Read the installation, operation and maintenance instructions thoroughly before installing or servicing this equipment.



AVERTISSEMENT

POUR VOTRE SECURITE:

Tout mauvais réglage ainsi que toute installation, modification, ou maintenance incorrecte risque de provoquer des blessures ou des dégâts matériels. Lire complètement les instructions concernant l'installation, le fonctionnement et l'entretien avant d'installer ou de procéder à la maintenance de cet appareil.



WARNING

FOR YOUR SAFETY:

If you smell gas -

- 1. Shut off gas to appliance.***
- 2. Extinguish any open flame.***
- 3. If odor continues, contact your gas supplier or local fire department.***



WARNING

FOR YOUR SAFETY:

- 1. Gas leaks may cause a fire or explosion which can cause serious bodily injury or death, or damage to property.***
- 2. You must follow all leak-checking procedures as outlined in step 6 before operating this unit.***
- 3. Never use an open flame to check for leaks.***



WARNING

FOR YOUR SAFETY:

Do not store or use gasoline or other flammable vapors or liquids in the vicinity of this or any other appliance.



WARNING

California Proposition 65:

Chemicals Known To The State Of California To Cause Cancer, Birth Defects, Or Other Reproductive Harm Are Created By The Combustion Of Propane.

Table of Contents

Safety First!	2
Assembly Instructions	
Hardware & Component Listing	4
General Components & Features	5
Additional Requirements	5
Step 1 Attach Emitter Screen	5
Step 2 Attach Top Wire Guard	6
Step 3 Attach Dome to Emitter	6
Step 4 Attach Dome Cap	6
Step 5 Gas Hook-up	7
Step 6 Check for Leaks	7
Step 7 Install Access Panel	8
Step 8 Securing the tank	8
Operation	
Before Turning Gas Supply ON	9
Before Lighting	9
Lighting	9
Re-Lighting	10
Shutdown	10
Operation Checklist	11
Troubleshooting	12
Maintenance	13
Storage	14
Service	14
Warranty	15
Specifications	16

THE INSTALLATION OF THIS UNIT MUST CONFORM WITH LOCAL CODES, OR IN THE ABSENCE OF LOCAL CODES, THE NATIONAL FUEL GAS CODE, ANSIZ223.1-1988 (CAN1-B149 INSTALLATION CODE).

Save these instructions for future reference.
If you are assembling this unit for someone else, give this manual to him or her to save for future reference.

**Contact 1-800-762-1142 for assistance.
Do not return to place of purchase.**

Endless Summer 

Safety First!

Read and become familiar with this entire manual, especially the following precautions. If you are unsure of anything in these instructions or the operation of your heater, STOP and contact 1-800-762-1142 for assistance.

Caution: This appliance is for outdoor use only (outside any enclosure). Always make sure there is fresh air ventilation.

- Always maintain at least 36" clearance from combustible materials.
- Always place heater on a hard and level surface.
- Do not use if the wind velocity is greater than 10 miles per hour.
- Heater operates at reduced efficiency below 40°F (5°C).
- Keep sprinklers and other water sources away from burner and controls.
- When using the gas extension hose always locate the hose out of pathways where people may trip over it or in areas where the hose may be subject to accidental damage.
- **Always use extreme caution when near heater. Alert both children and adults to the hazards of high temperatures, especially to avoid burns or clothing catching fire.**
- **Young children and pets should be carefully supervised when they are in the area of heater.**
- **Do not hang clothing or other flammable materials either on or near heater.**
- **Any guard or other protective device removed for servicing the heater must be replaced prior to operating the heater.**
- Certain materials or items, when stored under heater, will be subjected to radiant heat and could be seriously damaged.
- Do not modify heater in any manner.
- The pressure regulator and hose assembly supplied with the appliance must be used and replacements must be those specified by the manufacturer.
- Inspect heater and extension hose before each use of the appliance. If a damaged part is detected, do not operate until an original equipment replacement part has been properly installed. Use of unauthorized parts will void warranty and create an unsafe condition.
- Do not attempt to use this appliance without a functional factory-supplied gas regulator in place. If regulator becomes damaged, use only a factory-supplied replacement.
- During operation, do not touch burner assembly. The surface of heater's emitter can reach temperatures approaching 1600°F.
- After shutdown, do not touch emitter assembly until heater has cooled (approximately 45 minutes after use).

Notice: This product should not be used with any fuel other than liquid propane. Use of other fuels will detract from heaters performance and will void your warranty.



**Before you do anything else,
read and understand all
precautions in Safety First!**



WARNINGS

FOR YOUR SAFETY:

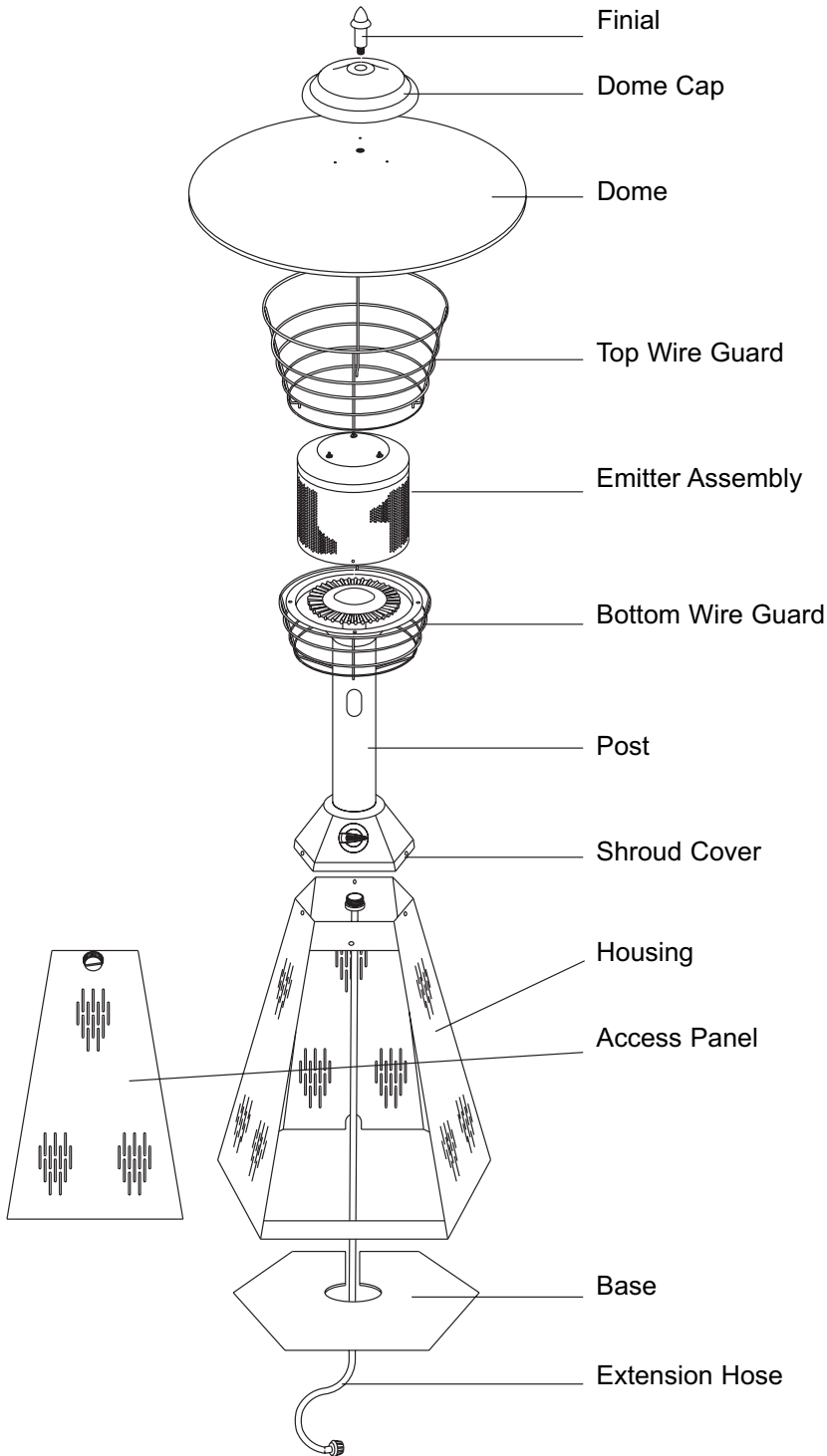
- **Purchaser assumes all risk in the assembly and operation of this unit. Failure to follow this manual's warnings and instructions can result in severe personal injury, death or property damage.**
- **Combustion of propane creates carbon monoxide, which, when used in enclosed areas, can kill you.**
- **Dome is extremely hot to the touch during operation. Never touch the dome while the heater is operating. Wait for unit to cool down (approximately 45 minutes) after use.**
- **Do not use in an explosive atmosphere. Keep heater away from areas where flammable liquids, gasoline, vapors, or explosives are stored or used.**



Contact 1-800-762-1142 for assistance.
Do not return to place of purchase.



Components



Hardware

Picture	Qty	Description	Used In Step
	4	Medium Screw	1
	3	Nut	3
	1	Finial	4
	1	Dome Cap	4
	1	Extension Hose	5

Assembly Instructions

General Components & Features

Familiarize yourself with all components before proceeding. Refer to page 4 for all hardware components.

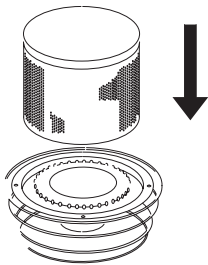
Do NOT attempt assembly unless all components are available. If you believe a component is missing or damaged, contact 1-800-762-1142 for assistance.

Additional Requirements

The following items are not included, but are necessary for the proper assembly of your heater. Do NOT attempt to assemble without proper tools.

- (1) - 7/16" Wrench
- (1) - #2 Phillips Head Screwdriver
- (1) - Leak Detection Solution (Instructions on how to make solution are included in Step 6)
- (1) - 20 lb.(4-5 gallon) precision filled LP Gas Grill Cylinder

Note: You must follow *all* steps to properly assemble heater.



Step 1 – Attach Emitter Screen

- Line up 4 holes on bottom of Emitter Screen with corresponding holes in Emitter Bottom, and insert (4) Medium Screws in holes until tight.

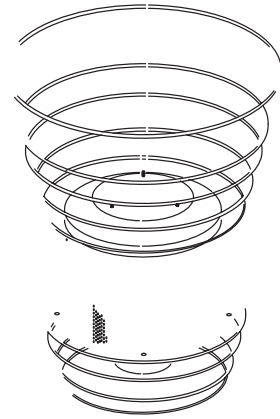
**Contact 1-800-762-1142 for assistance.
Do not return to place of purchase.**

Endless Summer 

Step 2—Attach Top Wire Guard

- Line up 4 prongs on Wire Guard Bottom with 4 holes on Emitter Bottom, and Insert.

Note: It may be necessary to adjust the prongs slightly to line them up with the holes.



Step 3—Attach Dome to Emitter

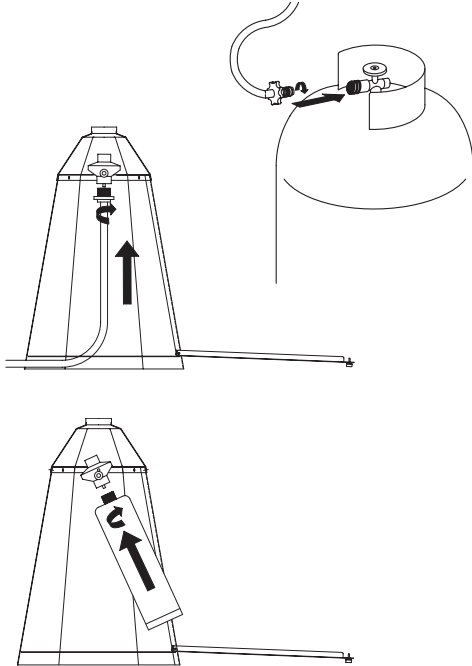
- Line up three studs in Emitter with holes in Dome. Slide Dome carefully over studs, clamping Top Wire Guard securely in place.

Note: It may be necessary to adjust prongs of the Top Wire Guard slightly to provide a secure fit.

- Install (3) Nuts on studs and tighten with 7/16" wrench.
Do not over tighten.

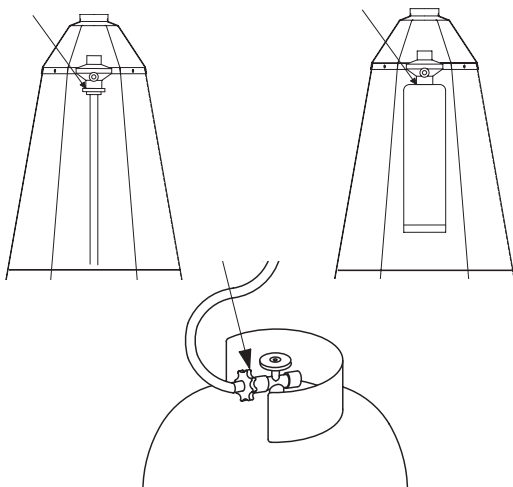
Caution:

Before you attempt to use a propane cylinder, understand all cylinder and propane related precautions in Section #1 – “Safety First.”



Caution:

Your Endless Summer Portable Heater has been checked at all factory connections for leaks. Recheck all connections, as movement in shipping can loosen connections. Check for leaks even if your unit was assembled for you at the store.



Step 5 – Gas Hook-up

Note: For best results, use heater with a 20 lb. cylinder.

The pressure regulator and hose assembly supplied with the appliance must be used and replacements must be those specified by the manufacturer.

To connect 20 lb. Cylinder

- Slip end of flexible gas line with brass fitting through center hole of Base and up to threaded portion of regulator.
- Line up threads on fitting with those on regulator and rotate clockwise until snug. **HAND TIGHTEN ONLY. DO NOT USE ANY HAND TOOLS TO MAKE THIS CONNECTION. BE CAREFUL NOT TO CROSS THREADS WHEN SCREWING IN FITTING.**
- Set heater on base, making sure that flexible gas line is routed through small slot in base.
- Attach gas line to cylinder by turning black plastic knob counter clockwise into cylinder valve until tight.

Note: Be careful not to kink flexible gas line.

To connect 14.1 oz or 16.4 oz cylinder

Note: Some 1-lb cylinders may form frost when near empty.

- Rotate regulator to point towards opening in shroud.
- Line up threads on canister with those on regulator, insert and rotate canister clockwise until they fit snugly together. **HAND TIGHTEN ONLY. BE CAREFUL NOT TO CROSS THREADS WHEN SCREWING IN CANISTER.**

Step 6 – Check for Leaks

To check for leaks:

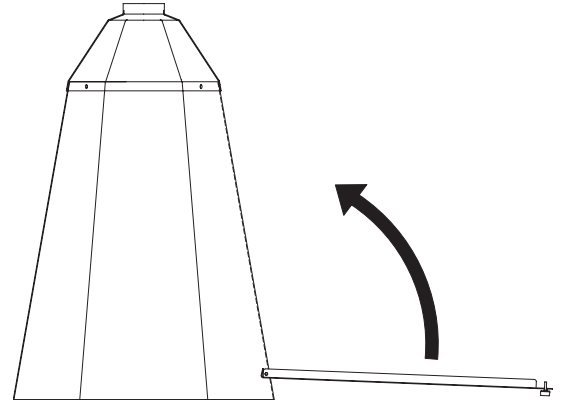
- Make 1-2 oz. of leak solution by mixing one part liquid dishwashing soap and 3 parts water.
- Spoon several drops (or use squirt bottle) of the solution onto the regulator/canister connections.
- Inspect the connections and look for bubbles
- If **NO** bubbles appear, the connection is safe.
- If bubbles appear, there is a leak:
- Loosen and re-tighten this connection.
- Re-check for a leak.
- If you continue to see bubbles after several attempts, disconnect propane source and contact 1-800-762-1142.

**Contact 1-800-762-1142 for assistance.
Do not return to place of purchase.**

Endless Summer 

Step 7 – Install Access Panel

- Rotate door up to closed position and tighten thumb screw



Step 8 – Securing the Tank

Mount your 20 lb. cylinder to a sturdy object such as a table or post within 3 to 4 feet of your heater when in use, this will prevent movement or tipping of the cylinder during operation.

The clamp on the cylinder ring will attach to any round pole from 1" to 2" in diameter, or a square post from 1" to 2" square. It will also adapt to various other shapes up to 2" wide.

Determine where to locate your 20 lb. cylinder. Be sure that it is within 2" what you are mounting it to.

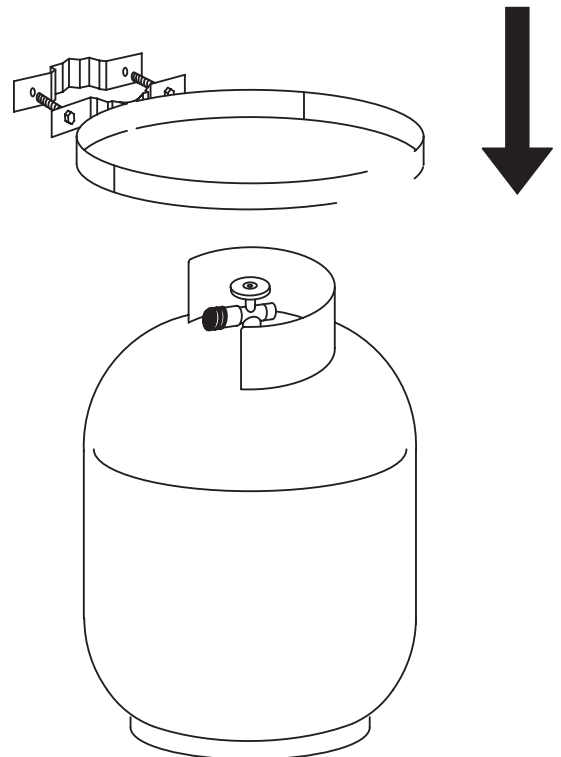
Place the bracket halves around the object and insert the 2" bolts through the open holes in one bracket and into the matching threaded holes in the second bracket. Position bracket within 6" of the middle of the cylinder. Finger tighten bolts.

Slide the 20 lb. cylinder into the curved portion of the bracket, making sure strapping ends are not between cylinder and bracket. Enclose cylinder in strap and securely tighten strap in buckle.

Using a 7/16" wrench, tighten the 2" bolts until they are secure. **DO NOT OVER TIGHTEN.**

In some cases you may wish to secure your cylinder to a larger object or a wall. It is possible to mount the bracket attached to the straps to these surfaces by drilling matching holes and using screws and nuts or lag screws (not provided) to secure your cylinder.

Note: Once you have read "safety first" and successfully completed Steps 1 – 8, you are ready to begin operating your heater.





WARNINGS

FOR YOUR SAFETY:

- **Do NOT attempt to operate heater until you have read and understand all precautions in section 1 “Safety First.” Failure to do so can result in serious personal injury, death, or property damage.**
- **If at any time you are unable to light burner and smell gas, wait 5 minutes to allow gas to dissipate before attempting to light heater.**
- **Do NOT touch emitter or dome or move heater for at least 45 minutes after use.**

Operation

Before Turning Gas Supply ON

Your heater was designed and approved for OUTDOOR USE ONLY. DO NOT use it inside a building, garage, or any other enclosed area.

Make sure surrounding areas are free of combustible materials, gasoline, and other flammable vapors or liquids.

Ensure that there is no obstruction to air ventilation.

Be sure all gas connections are tight and there are no leaks (see step 5).

Be sure the access panel is clear of debris.

Be sure any component removed during assembly or servicing is replaced and fastened prior to starting.

Before Lighting

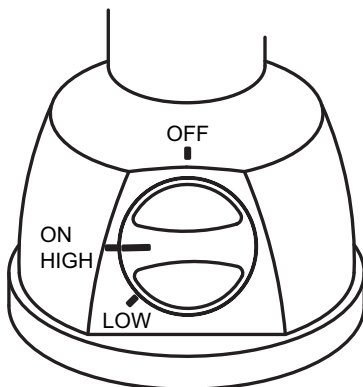
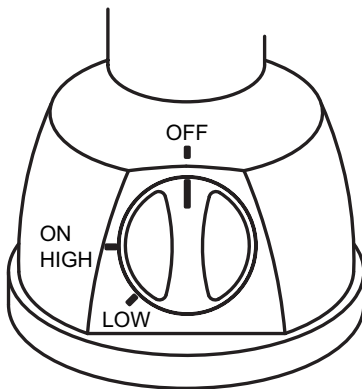
Heater should be thoroughly inspected before each use, and by a qualified service person at least annually.

If relighting a hot heater, always wait at least 5 minutes for gas to dissipate.

Lighting

1. Turn Gas Control Knob to OFF position.
2. Push in Control Knob and rotate to “ON” position. This will light burner. If necessary, keep depressing and rotating Knob until burner lights.
3. Once burner is lit, hold Control Knob in for at least 30 seconds and release.
4. If burner does not stay lit, wait 5 minutes and repeat steps 2 and 3.
5. Once burner is lit, rotate Knob to desired heating level.
6. Replace Access Panel.

If you experience any ignition problem, turn off the heater and gas supply, and consult “Troubleshooting” on page 12.



**Contact 1-800-762-1142 for assistance.
Do not return to place of purchase.**

Endless Summer 

Caution: Avoid inhaling fumes emitted from the heater's first use. Smoke and odor from the burning of oils used in manufacturing will appear. Both smoke and odor will dissipate after approximately 30 minutes. The heater should NOT produce thick black smoke.

Note: The burner may be noisy when initially turned on. To eliminate excessive noise from the burner, turn the Control Knob to the LOW position. Then, turn the knob to the level of heat desired.

When heater is ON:

Emitter screen will become bright red due to intense heat. The color is more visible at night.

Burner will display tongues of blue flame. These flames should not be yellow or produce thick black smoke, indicating an obstruction of airflow through the burners.

If yellow flame is detected, turn off heater and gas supply and consult "Troubleshooting" on page 12.

Re-lighting

Note: For your safety, Control Knob cannot be turned ON without *first* depressing Control Knob in OFF position and *then* rotating to ON.

1. Turn Gas Control Knob to OFF.
2. Wait at least 5 minutes to let gas dissipate before attempting to relight burner.
3. Repeat the "Lighting" Steps 2 and 3 on prior page.

Shut Down

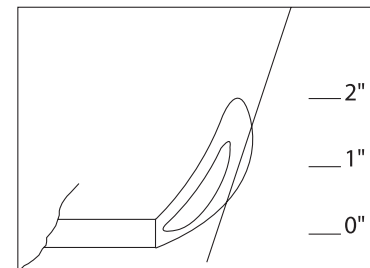
1. Rotate Gas Control Knob to OFF position. Normally, burner will make a slight popping sound when extinguished.
2. Turn off gas at cylinder.
3. Remove Access Panel.
4. Unscrew gas line from regulator.
5. Close Access Panel.

Note: After use, some discoloration of the emitter screen is normal.



WARNING

FOR YOUR SAFETY:
Be careful when attempting to manually ignite this heater. Holding in the control knob for more than 10 seconds before igniting the gas will cause a ball of flame upon ignition.



Operation Checklist

For a safe and pleasurable heating experience, perform this check before each use.

Before Operating

- I am familiar with entire owner's manual and understand all precautions noted in "Safety First."
- All components are properly assembled, intact and operable.
- No alterations have been made.
- All gas connections are secure and do not leak.
- Wind velocity is below 10 mph.
- Outdoor temperature is greater than 40 degrees F.
- Heater is outdoors (outside any enclosure).
- There is adequate fresh air ventilation.
- Heater is away from gasoline or other flammable liquids or vapors.
- Heater is away from windows, air intake openings, sprinklers and other water sources.
- Heater is at least 36" from combustible materials.
- Heater is on a hard and level surface.
- There are no signs of spider or insect nests.
- All burner passages are clear.
- All air circulation passages are clear.
- Children, pets, clothing, flammable materials and items that can be damaged from radiant heat are away from the heater.
- Children and adults in the area have been alerted to the high temperature hazards: especially burns and clothing fires.
- Children and adults in the area have been warned not to touch heater near engine during operation and until unit has cooled.

After Operation

- Gas control is in OFF position.
- Gas tank valve is OFF
- Disconnect Gas line.
- Heater is upright in a secure location.

**Contact 1-800-762-1142 for assistance.
Do not return to place of purchase.**



Troubleshooting

<u>If the problem is:</u>	<u>And this condition exists:</u>	<u>Then do this</u>
Burner won't light	Gas pressure is low	Replace cylinder or canister
	Blockage in burner openings	Clear blockage
	Blockage in venturi tube	Clean venturi
	Blockage in gas line	Check gas line for blockage
	Control knob is not in ON position	Turn control knob to ON
Burner won't stay lit	Bad thermocouple	Replace thermocouple
	Corrosion at thermocouple	Clean contact
	Burner flame not touching thermocouple	Contact certified technician
Burner flame is low <i>Note: Heater operates at reduced efficiency below 40°F (5°C)</i>	Gas pressure is low	Turn Control Knob OFF and replace cylinder or canister
	Outdoor temperature is less than 40°F and tank is less than 1/4 full	Use a full cylinder or canister
	Control knob fully ON	Check burner and all openings for blockage
Emitter glows unevenly	Gas pressure is low	Replace cylinder or canister
	Heater not level	Level heater
	Burner tilted	Straighten burner
Carbon build-up	Base is not on a level surface	Place heater on a level surface
	Heater is level	Clean burner
	Dirt or film on reflector and emitter	Clean reflector and emitter
Thick black smoke	Blockage in burner	Remove blockage and clean burner inside and outside

Maintenance

To enjoy years of outstanding performance from your heater make sure you perform the following maintenance activities on a regular basis:

- Keep exterior surfaces clean.
- Use warm soapy water for cleaning. Never use flammable or corrosive cleaning agents.
- While cleaning your unit, be sure to keep the area around the burner and pilot assembly dry at all times. Do not submerge the control valve assembly. If the gas control is submerged in water, do NOT use it. It must be replaced.

Air flow must be unobstructed. Keep controls, burner, and circulating air passageways clean. Signs of possible blockage include:

- Gas odor with extreme yellow tipping of flame
- Heater does NOT reach the desired temperature.
- Heater glow is excessively uneven.
- Heater makes popping noises.

Spiders and insects can nest in burner or orifices. This dangerous condition can damage heater and render it unsafe for use. Clean burner holes by using a heavy-duty pipe cleaner. Compressed air may help clear away smaller particles.

Carbon deposits may create a fire hazard. Clean dome and emitter with warm soapy water if any carbon deposits develop.

Note: In a salt-air environment (such as near an ocean) corrosion occurs more quickly than normal. Frequently check for corroded areas and repair them promptly.

TIP:

Use high-quality automobile wax to help maintain the appearance of your heater. Apply to exterior surfaces from the pole down. Do not apply to emitter screen, dome, or wire guard.

**Contact 1-800-762-1142 for assistance.
Do not return to place of purchase.**

Endless Summer 

Storage

Between uses:

Turn Control Knob OFF.

Disconnect LP source.

Note: When appliance is not in use cylinder must be disconnected.

The LP-gas supply cylinder must be disconnected when this appliance is not in use.

Store heater upright in an area sheltered from direct contact with inclement weather (such as rain, sleet, hail, snow, dust and debris).

If desired, cover heater to protect exterior surfaces.

Note: Wait until heater is cool before covering.

During periods of extended inactivity or when transporting:

Turn Control Knob OFF.

Disconnect LP source and move to a secure, well-ventilated location outdoors.

Store heater upright in an area sheltered from direct contact with inclement weather (such as rain, sleet, hail, snow, dust and debris).

If desired, cover heater to protect exterior surfaces.

Note: Wait until heater is cool before covering.

Never leave LP cannister exposed to direct sunlight or excessive heat.

FOR YOUR SAFETY:

Never attempt to refill disposable canister. Refilling may cause explosion. To discard, contact local refuse hauler or recycle center.

Do not puncture or incinerate.

Service

To learn how to service and procure parts for worn out, defective or damaged components contact 1-800-762-1142 for assistance or e-mail customerservice@uniflame.com. Please supply model number and serial ID number for best service support. These numbers can be found on the heater's rating plate, located on the housing.

Caution: The pressure regulator and hose assembly supplied with the appliance must be used and replacements must be those specified by the manufacturer. Use only original equipment replacement parts. Use of unauthorized parts or modification of parts will void warranty and create an unsafe condition.

Caution: Always allow heater to cool before attempting service.

Warranty

Warranty Period

Heater's warranty extends for 1 years from date of purchase by original purchaser.

Warranty Terms

Manufactured by UniFlame Corp. 1817 Kenosha Road. Zion, Illinois 60099. 1-800-762-1142.

Manufacturer will cover: All parts found to be defective due to materials or workmanship for 1 years from the date of original purchase.

Proof of purchase is required before warranty performance will be rendered. Sales receipt and validation of product registration are valid forms of proof of purchase.

Manufacturer will repair or replace parts returned prepaid freight in the U.S.A. at its sole discretion.

There are no other express or implied warranties.

Warranty Exclusion

Manufacturer will NOT cover:

- Assembly or start-up

- Normal adjustment to burner

- Cleaning and/or general maintenance

- Shipping damage

- Any misuse which will be determined at the sole discretion of manufacturer

- Damage or repairs due to service by an unauthorized agency or the use of unauthorized parts

- Improper assembly, such as: no regulator, improper hook-up, etc.

- Damage or repairs related to spider or insect nesting

- Damage due to weather conditions

Warranty Procedures

For service or replacement parts, please call 1-800-762-1142 for return authorization and further instructions.

All returns must be sent via prepaid freight.

Legal Rights

No one else is authorized to make any warranties on behalf of manufacturer.

THIS WARRANTY IS IN LIEU OF ANY OTHER WARRANTY, EXPRESS OR IMPLIED, ORAL OR WRITTEN, INCLUDING, BUT NOT LIMITED TO, ANY WARRANTY OF MERCHANTABILITY OR FITNESS FOR A PARTICULAR PURPOSE.

UNIFLAME SHALL NOT BE LIABLE FOR ANY INCIDENTAL OR CONSEQUENTIAL DAMAGES RESULTING FROM ANY DEFECTIVE PRODUCT, INCLUDING, BUT NOT LIMITED TO, LOST REVENUE OR PROFITS, BUSINESS INTERRUPTION, OR ANY LEGAL THEORY UPON WHICH ANY CLAIM MAY BE BASED.

PURCHASER ASSUMES ALL RISK IN THE ASSEMBLY AND OPERATION OF THIS UNIT. FAILURE TO FOLLOW THIS MANUAL'S WARNINGS AND INSTRUCTIONS CAN RESULT IN SEVERE PERSONAL INJURY, DEATH OR PROPERTY DAMAGE.

Some states do not allow limitations on how long an implied warranty lasts, or the exclusion or limitation relevant to incidental or consequential damages.

This warranty gives you specific legal rights. You may also have other legal rights which vary from state to state.

Since product improvement is an ongoing process at the manufacturer, we reserve the right to change this product's specifications or design without notice.

**Contact 1-800-762-1142 for assistance.
Do not return to place of purchase.**

Endless Summer 

Specifications

Certifications:

CSA International Requirement 5.90
Canadian National Standard CAN1-2.23-M82

Rating:

Maximum 14,000 BTU/hr. input

Heat Range:

Up to 10 foot diameter

Fuel:

Liquid Propane Gas (LP)

Cylinder Size:

Nominal 20 lb / 5 Gallon
OR
14.1 oz. (400 grams)
16.4 oz. (465 grams)

Inlet gas supply pressure:

Maximum – 150 PSI
Minimum – 5 PSI

Manifold Pressure:

11.00 in. W.C.

Supply Pressure:

0.41 psig (11.00 in. W.C.)

Engine:

IPP E8

Safety Features:

100% Burner shut-off
Tilt Switch

Manufacturer:

UniFlame Corporation

Made In:

China



**Contact 1-800-762-1142 for assistance.
Do not return to place of purchase.**

Endless Summer 



La sécurité avant tout!

Lisez et familiarisez-vous avec ce manuel et surtout les précautions suivantes. Si vous avez des questions concernant ces instructions, ARRÊTEZ et composez le 1-800-762-1142 pour toute assistance.

Attention: Cet appareil est sensé être utilisé à l'extérieur uniquement (hors de tout espace clos). Assurez-vous qu'il y a toujours suffisamment d'air pour la ventilation de l'appareil.

- Veillez à ce qu'il y ait toujours un espace d'au moins 91 cm entre l'appareil et toute matière combustible.
- Veillez à ce que l'appareil soit toujours placé sur une surface dure et plane.
- Ne pas utiliser l'appareil si la vitesse du vent dépasse 16 km/h.
- Si la température descend en dessous de 40°F (5°C), l'appareil fonctionnera à un rendement moindre.
- Conservez les arroseurs d'eau et autres sources d'eau à l'écart des brûleurs et des commandes.
- Lorsque vous utilisez le tuyau de rallonge, veillez à le placer à un endroit où il ne gênera pas le passage des gens et où ces derniers peuvent trébucher dessus. Veillez à ce qu'il ne puisse être accidentellement endommagé.
- **Faites preuve d'une extrême précaution lorsque vous êtes à proximité de l'appareil. Indiquez aux enfants et aux adultes les dangers existants en raison des hautes températures afin d'éviter qu'ils ne se brûlent ou que leurs vêtements ne prennent feu.**
- **Ne laissez jamais les enfants et les animaux domestiques sans surveillance lorsque ces derniers sont à proximité de l'appareil.**
- **Ne pendez pas de vêtements ou d'autres matières inflammables sur l'appareil ou à proximité de ce dernier.**
- **Tout cache ou dispositif de protection ayant été retiré afin de procéder à une réparation ou à l'entretien de l'appareil, doit être remis en place avant de mettre en marche l'appareil.**
- Certains matériaux ou articles risquent d'être sérieusement endommagés en raison de la chaleur rayonnante si ces derniers sont placés sous l'appareil.
- Ne modifiez en aucune façon l'appareil.
- Vérifiez le radiateur extérieur et son tuyau de rallonge à chaque fois avant d'utiliser l'appareil. Si vous détectez une pièce endommagée, n'utilisez pas l'appareil avant d'installer une pièce d'origine. L'utilisation de toute pièce non approuvée par le fabricant annulera la garantie et présentera un danger.
- Ne tentez pas d'utiliser l'appareil sans un régulateur de gaz en état de fonctionnement et ayant été monté à l'usine. Si le régulateur s'avère endommagé, utilisez uniquement un régulateur de rechange fourni par l'usine.
- Ne touchez pas les pièces du brûleur lorsque l'appareil fonctionne. La surface de l'émetteur de chaleur peut atteindre 1600°F (870°C).
- Après avoir éteint l'appareil, ne touchez pas le brûleur jusqu'à ce que l'appareil se soit refroidi (attendre environ 45 minutes).

Avis: Cet appareil ne doit pas être utilisé avec un carburant autre que du propane liquide. Le non-respect de cette consigne nuira au rendement de l'appareil et annulera la garantie



Avant de faire quoi que ce soit, veuillez lire et comprendre toutes les consignes de la section "La sécurité avant tout!"



AVERTISSEMENT

POUR VOTRE SÉCURITÉ:

- ***L'acheteur assume tous les risques lors de l'assemblage et de l'utilisation de cet appareil. Le non-respect des instructions et des consignes de sécurité de ce manuel risque de provoquer des blessures graves voir la mort ou des dégâts matériels.***
- ***La combustion du propane produit de l'oxyde de carbone qui risque d'être mortelle si vous utilisez cet appareil dans un endroit fermé.***
- ***Le dôme est extrêmement chaud lorsque l'appareil fonctionne. Ne touchez jamais le dôme lorsque l'appareil est allumé. Attendez que l'appareil refroidisse (environ 45 minutes) après l'avoir éteint.***
- ***Ne pas utiliser l'appareil dans une atmosphère explosive. Conservez l'appareil à l'écart de toute zone où des liquides inflammables ou de l'essence sont remisés ou stockés et où des vapeurs ou émanations explosives sont présentes.***

Bouteille de gaz de 9 kg



POUR VOTRE SÉCURITÉ:

Attention aux araignées

Les araignées et autres insectes peuvent s'introduire dans la tubulure du brûleur et les autres orifices de l'appareil et pendre leurs toiles et y fabriquer leurs nids. Ces obstacles risquent de provoquer des problèmes au niveau de l'alimentation du gaz. Vérifiez fréquemment ces endroits et nettoyez-les si nécessaire.

Avant d'utiliser l'appareil pour la première fois, vérifiez qu'aucun obstacle de ce genre n'est apparu lors du transport.

Vous avez besoin d'une bouteille de gaz?

Essayez le service de bouteilles de rechange Blue Rhino. C'est un service facile, rapide, sans danger et présent dans des dizaines de milliers de points de vente partout dans le pays. Achetez une bouteille neuve ou échangez votre bouteille vide contre une bouteille déjà remplie. Pour le point de vente le plus proche consultez www.bluerhino.com.

Attention: Le propane liquide (LP) est un gaz inflammable et dangereux si ce dernier n'est pas manipulé correctement. Soyez conscient des dangers avant d'utiliser tout appareil fonctionnant au propane.

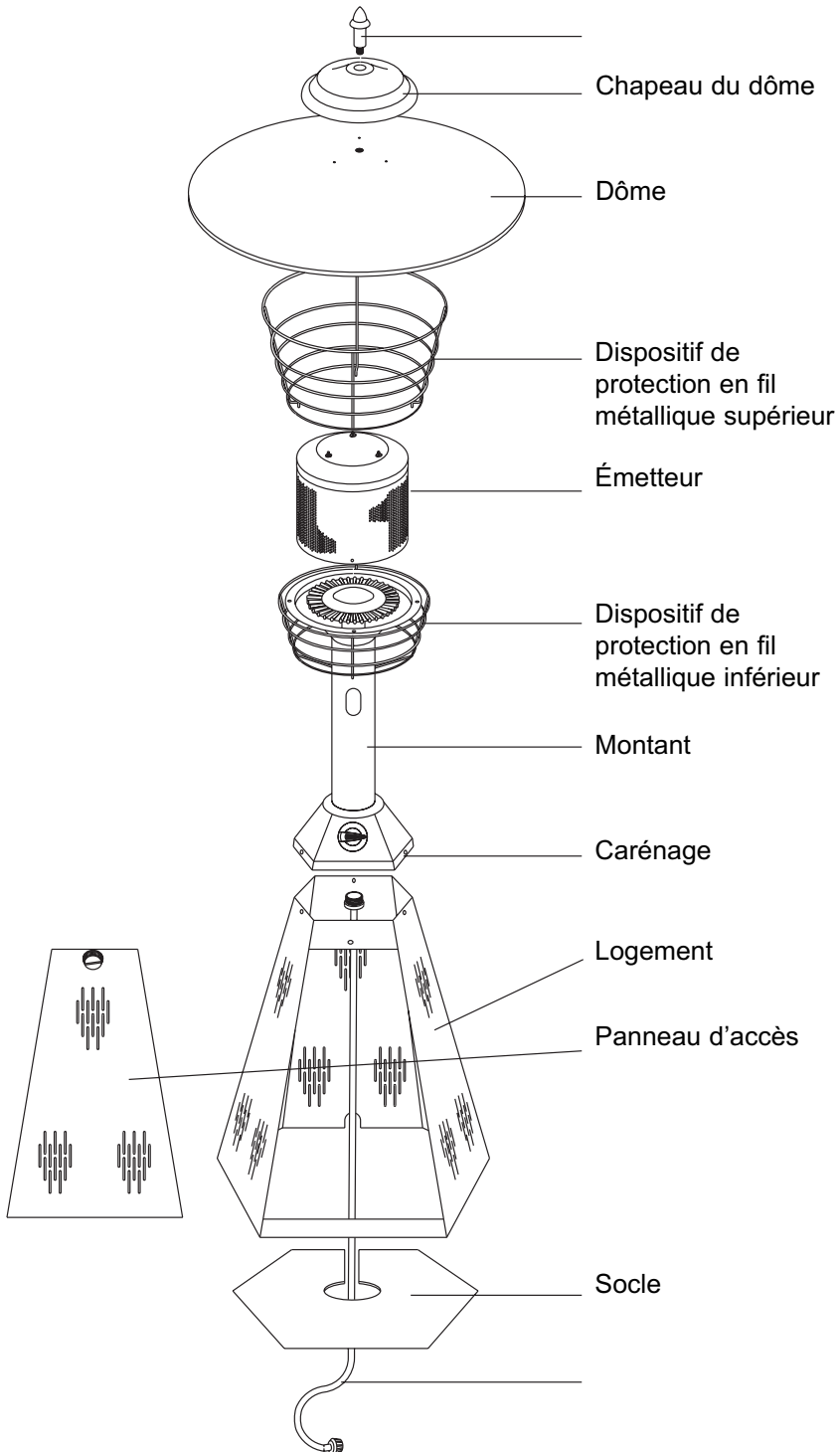
- Caractéristiques du propane: le propane est un gaz inflammable qui risque d'exploser sous pression. C'est un gaz plus lourd que l'air présent en gisements.
- À l'état naturel, le propane est inodore. Pour votre sécurité, un odorant ayant l'odeur de choux avariés est ajouté.
- Tout contact avec la peau risque d'entraîner des brûlures.
- Cet appareil est expédié de l'usine afin d'être utilisé avec du propane uniquement.
- Utilisez uniquement des bouteilles de gaz de 20 lb (9 kg) homologuées par le DOT (Ministère des Transports) (il s'agit des mêmes bouteilles que celles utilisées pour les grils à gaz) avec soupape de sécurité QCC Acme/Type 1. Ces soupapes sont faciles à identifier car elles possèdent un filetage interne et externe.
- N'utilisez jamais une bouteille de propane si le corps, le robinet de commande, le col ou le socle est endommagé.
- Lorsque vous utilisez une bonbonne de gaz de 20 lb. (9 kg), le système d'alimentation de la bonbonne doit être prévu afin de permettre la sortie des vapeurs et des émanations.
- Lorsque vous utilisez une bonbonne de gaz de 20 lb. (9 kg), cette dernière doit être équipée d'un collier de protection afin de protéger la valve de la bonbonne.
- Lorsque vous n'utilisez pas l'appareil, fermez le robinet de gaz de la bouteille (OFF)
- Veillez à toujours effectuer un test afin de rechercher toute fuite potentielle au niveau des raccords de gaz (voir Étapes 6 et 7). N'utilisez jamais de flamme nue afin de rechercher une fuite. Ne fumez jamais lorsque vous effectuez le test.

Attention: Il est primordial que le compartiment du robinet de commande de l'appareil, les brûleurs et les passages par où l'air circule demeurent propres.

- Les araignées et les insectes risquent de provoquer des conditions dangereuses et de nuire au bon fonctionnement de l'appareil. Veillez à ce que la zone du brûleur demeure propre et sans toiles d'araignées ou insectes.
- Vérifiez l'appareil avant chaque utilisation.
- **Faites inspecter le radiateur extérieur une fois par an et veillez à ce que toute réparation soit effectuée par un réparateur qualifié.**
- Vérifiez immédiatement l'appareil dans les cas suivants:
 - Vous sentez une odeur de gaz et les crêtes des flammes sont extrêmement jaunes.
 - L'appareil n'atteint pas la température adéquate. Remarque: l'appareil fonctionnera à un rendement moindre à une température inférieure à 40°F (5°C).
 - La lueur de chauffage n'est pas du tout uniforme.
- Le brûleur fait du bruit lorsqu'il fonctionne. Remarque: il est normal que le brûleur émette un léger bruit lors de son extinction.
- Des résidus de carbone risquent de provoquer un incendie. Veillez à ce que le dôme et l'émetteur demeurent toujours propres.
- Ne nettoyez pas l'appareil avec un nettoyant combustible ou corrosif. Utilisez de l'eau tiède savonneuse.
- Ne peignez aucune partie de cet appareil.

Remarque: Si vous utilisez une bouteille de gaz de 20 lb (9 kg), il est nécessaire d'utiliser l'adaptateur spécial pour tuyaux fourni pour ce raccord. Cet adaptateur est fourni avec une prise POL au niveau de l'embout de raccordement de la bouteille.

Pièces



Instructions de montage

Pièces et caractéristiques générales

Familiarisez-vous avec toutes les pièces avant de commencer. Reportez-vous à la page 4 pour la nomenclature, les pièces et leurs caractéristiques.

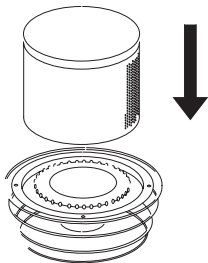
NE PAS tenter de monter l'appareil si vous n'avez pas toutes les pièces. Si vous pensez que des pièces sont manquantes ou endommagées, appelez le 1-800-762-1142.

Accessoires supplémentaires

Les articles suivants ne sont pas fournis mais sont nécessaires afin de monter l'appareil. NE PAS tenter de monter l'appareil sans outils adéquats.

- (1) - Clé de 7/16 po. (11 mm)
- (1) - Tournevis cruciforme Phillips #2
- (1) - Solution pour détection de fuite (voir instructions pour préparer la solution à l'étape 6)
- (1) - Bouteille de gaz (propane) de 20 livres (9 kg) (11,3 à 15 litres) pour gril

Remarque: Suivez *toutes* les étapes afin de monter correctement l'appareil..



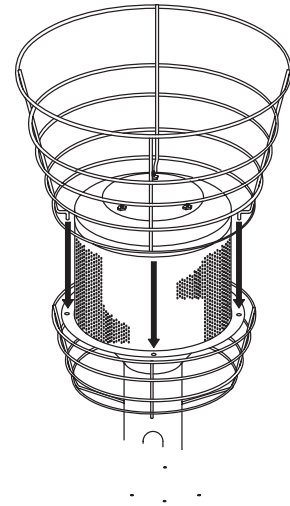
Étape 1: Fixer la grille de l'émetteur

- Aligned les 4 trous au fond de la grille de l'émetteur en les faisant correspondre aux trous du fond de l'émetteur et introduisez (4) vis de taille moyenne dans les trous.

Étape 2: Fixer le dispositif de protection en fil métallique

- Alignez les 4 broches du fond du dispositif de protection avec les 4 trous du fond de l'émetteur puis introduisez le dispositif.

Remarque: Il sera peut être nécessaire de régler légèrement les broches afin de les aligner avec les trous.



Étape 3: Fixer le dôme à l'émetteur

- Alignez les trois tiges de l'émetteur avec les trous du dôme. Glissez le dôme avec précaution sur les tiges, en fixant le dispositif de protection en fil métallique.

Remarque: Il sera peut être nécessaire de régler légèrement les broches du dispositif de protection afin de les fixer correctement.

- Montez (3) écrous sur les tiges et serrez-les à l'aide d'une clé de 7/16 po. (11 mm). Ne pas trop serrer.



Étape 5: Raccordement du gaz

Remarque: Pour un résultat optimal, utilisez une bouteille de 20 livres (9 kg) avec l'appareil de chauffage.

Attention: Avant d'utiliser la bouteille de propane, il est indispensable de comprendre toutes les consignes de sécurité de la section 1 -

"La sécurité avant tout!"

Pour raccorder une bouteille de gaz de 20 livres (9 kg)

- Glissez le bout du tuyau de gaz souple comportant la pièce de raccord en cuivre dans le trou central du socle de l'appareil puis vers le haut jusqu'au filetage du régulateur.
- Alignez le filetage de la pièce de raccord du tuyau avec le filetage du régulateur et tournez dans le sens des aiguilles d'une montre afin de serrer. **SERREZ UNIQUEMENT À LA MAIN. N'UTILISEZ PAS D'OUTILS AFIN D'EFFECTUER CE RACCORD. VEILLEZ À NE PAS FAUSSER LE FILETAGE LORSQUE VOUS VISSEZ.**
- Placez l'appareil sur son socle en veillant à ce que le tuyau de gaz souple passe par la petite fente du socle.
- Raccordez le tuyau de gaz à la bouteille en tournant le robinet noir en plastique dans le sens inverse à celui des aiguilles d'une montre jusqu'à ce qu'il soit serré.

Remarque: Veillez à ne pas plier le tuyau souple de gaz.

Pour raccorder une bouteille de gaz de 14.1 oz (400 g) ou 16.4 oz (465 g)

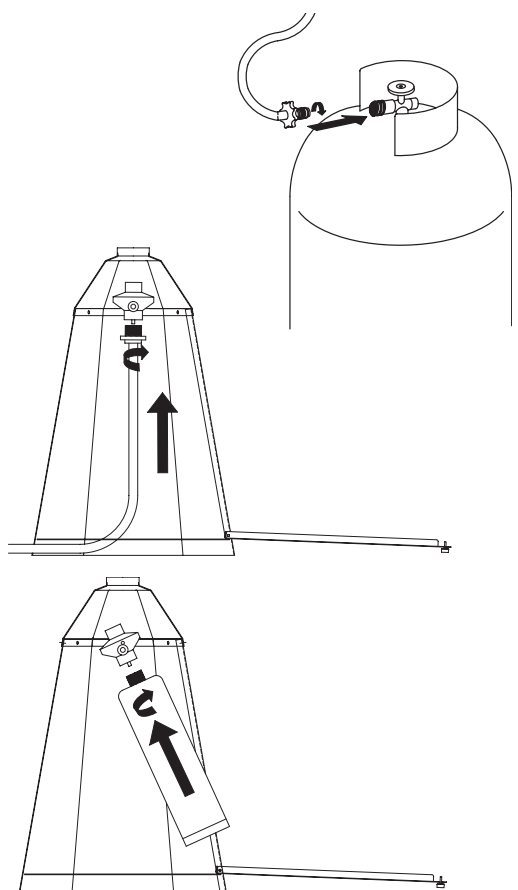
Remarque: Du gel risque de se former sur certaines bouteilles de 1 lb. (453 g) lorsqu'elles sont presque vides.

- Tournez le régulateur afin qu'il soit orienté vers l'ouverture du carénage.
- Alignez le filetage de la bouteille avec celui du régulateur, introduisez et tournez la bouteille dans le sens des aiguilles d'une montre jusqu'à ce qu'ils s'encastrent l'un dans l'autre. **SERREZ UNIQUEMENT À LA MAIN. VEILLEZ À NE PAS FAUSSER LE FILETAGE LORSQUE VOUS VISSEZ LE CONTENANT.**

Étape 6: Rechercher une fuite potentielle

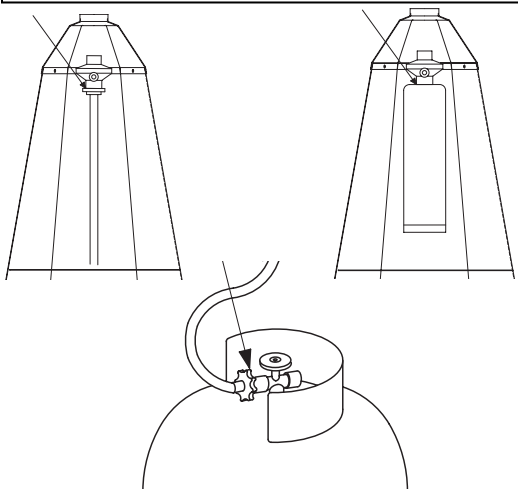
Pour détecter une fuite:

- Préparez une solution de 29 à 59 ml destinée à détecter les fuites en mélangeant un volume de détergent à vaisselle et 3 volumes d'eau.
- À l'aide d'une cuillère (ou d'une gourde), versez quelques gouttes de la solution sur le raccord du régulateur et de la bouteille.
- Vérifiez si des bulles apparaissent au niveau des raccords.
- Si les raccords NE présentent PAS de bulles, le raccord est étanche.
- Si des bulles apparaissent, vous venez de découvrir une fuite :
- Desserrez puis serrez à nouveau le raccord.
- Vérifiez à nouveau le raccord.
- Si des bulles persistent après plusieurs tentatives, composez le 1-800-762-1142.



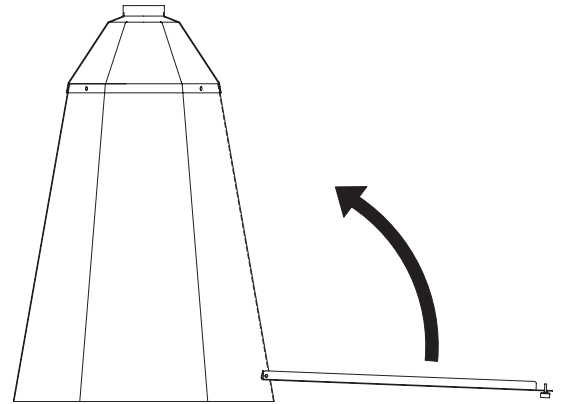
Attention:

Le Chauffage Extérieur Portable Endless Summer a été vérifié en usine afin de s'assurer que les raccords ne présentent aucune fuite. Vérifiez à nouveau tous les raccords car il est possible qu'ils se soient desserrés lors du transport. Vérifiez que l'appareil ne présente aucune fuite même si ce dernier a été assemblé pour vous au magasin.



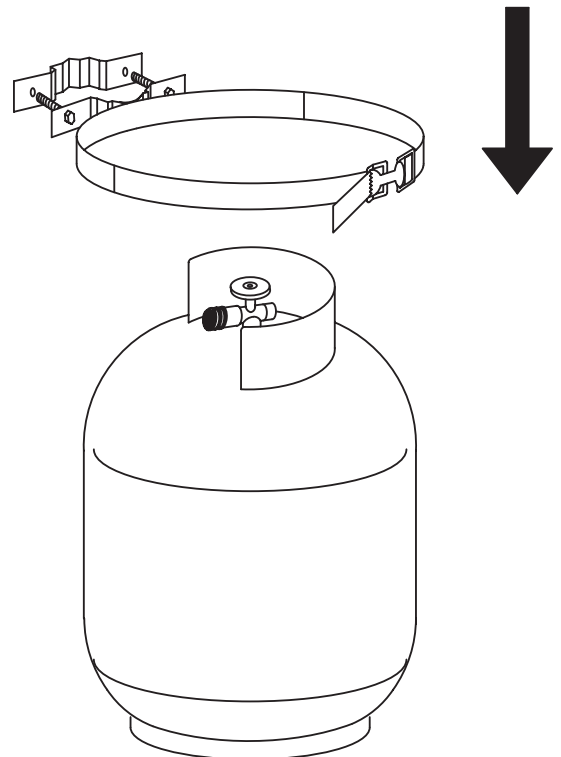
Étape 7: Installation du panneau d'accès

- Tournez la porte vers le haut afin de la fermer et serrez la vis à la main.



Étape 8: Fixer la bouteille de gaz

- Fixez votre bouteille de gaz de 20 lb (9 kg) à un objet robuste tel qu'une table ou un poteau situé entre 90 cm et 1,2 mètres de l'appareil lorsqu'il fonctionne. Vous éviterez ainsi que la bouteille ne bouge ni se renverse pendant le fonctionnement de l'appareil.
- La bride du collier de serrage de la bouteille peut se fixer à un poteau circulaire ou carré de 2,5 à 5 cm de diamètre.
- Il peut également s'adapter à d'autres formes pouvant mesurer jusqu'à 5 cm de largeur.
- Déterminez où vous comptez installer la bouteille de gaz de 9 kg. Assurez-vous qu'elle se trouve bien au maximum à 5 cm de l'objet auquel vous comptez l'attacher.
- Placez les deux moitiés de l'étrier de fixation autour de l'objet et introduisez les boulons de 5 cm dans les trous de l'étrier et dans les trous filetés correspondant de l'autre moitié de l'étrier. Placez l'étrier à moins de 15 cm du centre de la bouteille de gaz. Serrez les boulons à la main.
- Glissez la bouteille de gaz de 9 kg dans la partie incurvée de l'étrier en veillant à ce que les bouts de sangles ne se trouvent pas entre la bouteille et l'étrier. Serrez la sangle autour de la bouteille et serrant la sangle dans la boucle.
- À l'aide d'une clé de 11 mm, serrez les boulons de 5 cm jusqu'à ce qu'ils soient correctement fixés. **NE PAS TROP SERRER.**
- Dans certains cas, il est souhaitable de fixer la bouteille de gaz à un objet plus large ou à un mur. Il est possible de fixer l'étrier avec les sangles à ces surfaces en perçant des trous identiques et en utilisant des vis et des écrous ou des grandes vis (non fournis) afin de fixer la bouteille.
- Remarque: Après avoir lu la section "La sécurité avant tout!" et effectué les étapes 1 à 8, vous pouvez à présent utiliser l'appareil de chauffage.

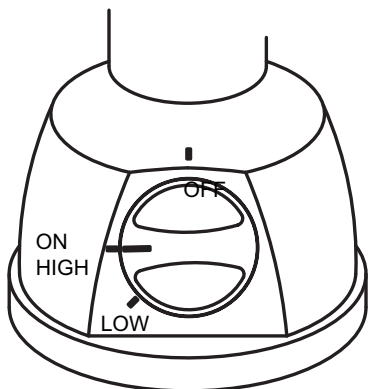
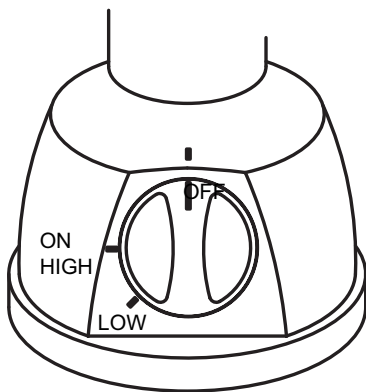




AVERTISSEMENTS

POUR VOTRE SÉCURITÉ:

- **NE PAS tenter d'utiliser l'appareil avant de lire et comprendre toutes les consignes de sécurité de la section 1 - "La sécurité avant tout!" Le non-respect de cette consigne risque d'entraîner des dommages matériels, des blessures graves voir la mort.**
- **Si vous n'arrivez pas à allumer l'appareil et si vous sentez une odeur de gaz, attendez 5 minutes afin que le gaz se dissipe avant de tenter de rallumer l'appareil.**
- **NE PAS toucher l'émetteur, le dôme ni tenter de déplacer l'appareil avant d'attendre au moins 45 minutes après avoir éteint l'appareil.**



Fonctionnement

Avant d'ouvrir le robinet de gaz (ON)

Votre appareil a été conçu et approuvé afin d'être UTILISÉ À L'EXTÉRIEUR UNIQUEMENT. NE PAS utiliser l'appareil à l'intérieur d'un immeuble, garage ou tout autre espace fermé.

Assurez-vous que le périmètre autour de l'appareil est dépourvu de matières combustibles, d'essence et d'autres liquides présentant des vapeurs ou émanations inflammables.

Assurez-vous que rien ne gêne la ventilation.

Assurez-vous que tous les raccords de gaz sont serrés et ne présentent aucune fuite (voir l'étape 5).

Assurez-vous que le panneau d'accès ne comporte pas de débris.

Assurez-vous que toutes les pièces ayant été retirées lors de l'assemblage ou de l'entretien ont été replacées et fixées avant d'utiliser l'appareil.

Avant d'allumer l'appareil

Inspectez complètement l'appareil avant chaque utilisation et faites en sorte qu'un réparateur agréé inspecte l'appareil une fois par an.

Si vous devez rallumer un appareil déjà chaud, attendez au moins 5 minutes afin que le gaz se dissipe.

Allumer l'appareil

1. Fermez l'arrivée de gaz en réglant le bouton de commande sur "OFF".
2. Poussez le bouton de commande et tournez-le sur "ON". Vous allumerez ainsi le brûleur. Si nécessaire, continuez à maintenir le bouton de commande et à le tourner jusqu'à ce que le brûleur s'allume.
3. Après avoir allumé le brûleur, maintenez le bouton de commande enfoncé pendant au moins 30 secondes puis relâchez-le.
4. Si le brûleur ne demeure pas allumé, attendez 5 minutes et reprenez les étapes 2 et 3.
5. Après avoir allumé le brûleur, tournez le bouton de commande jusqu'au réglage de chauffage désiré.
6. Remplacez le panneau de commande.

En cas de problème lors de l'allumage, éteignez l'appareil et fermez l'arrivée de gaz et consultez le "Guide de dépannage" de la page 12.



Vérifications à effectuer avant toute utilisation

Pour votre sécurité et votre bien-être, veillez à toujours effectuer les vérifications suivantes à chaque fois avant d'utiliser le système de chauffage:

Avant d'allumer l'appareil

- Je me suis familiarisé avec le manuel d'exploitation et je comprends toutes les consignes de sécurité de la section "La sécurité avant tout!"
- Toutes les pièces sont intactes et ont toutes été montées correctement.
- Aucune modification n'a été effectuée.
- Les conduites de gaz sont toutes fixées et ne présentent aucune fuite.
- La vitesse du vent est inférieure à 16 km/h
- La température extérieure est supérieure à 40°F (5°C).
- L'appareil est installé à l'extérieur (hors de tout édifice).
- La ventilation est bonne.
- L'appareil est loin de tout carburant ou liquide source de vapeurs inflammables.
- L'appareil est loin de fenêtres, de bouches d'air, d'arroseurs et autres sources d'eau.
- L'appareil se trouve au minimum à 91 cm de toute matière combustible.
- L'appareil se trouve sur une surface dure et à niveau.
- Il n'y a aucune trace de toiles d'araignées ou de nids d'insectes.
- Toutes les ouvertures des brûleurs sont propres.
- Tous les passages par où l'air circule sont propres.
- Les enfants, les animaux domestiques, les vêtements, les matières inflammables et autres articles risquant d'être endommagés par la chaleur rayonnante sont tous loin de l'appareil.
- Les enfants et les adultes à proximité savent que l'appareil génère des températures élevées et risquent de se brûler ou de voir leurs vêtements prendre feu.
- Les enfants et les adultes à proximité savent qu'il ne faut pas toucher l'appareil pendant qu'il fonctionne et qu'il faut attendre qu'il ait refroidi pour le toucher.

Après toute utilisation

- La commande de gaz est fermée ("OFF").
- Le robinet de la bouteille de gaz est fermé ("OFF").
- Débranchez le tuyau de gaz.
- L'appareil a été remis debout à l'abri.

Guide de dépannage

<u>Dans le cas suivant:</u>	<u>Problème:</u>	<u>Pour corriger le problème</u>
La veilleuse ne s'allume pas.	La pression de gaz est trop basse.	Remplacez la bombonne.
	Les orifices du brûleur sont bouchés.	Retirez l'obstacle.
	Le tube venturi est bouché.	Nettoyez le tube venturi.
	Le tuyau de gaz est bouché.	Vérifiez que le tuyau de gaz n'est pas bouché.
	Le bouton de commande n'est pas sur "ON".	Réglez le bouton de commande sur "ON".
La veilleuse ne demeure pas allumée.	Le thermocouple ne fonctionne pas correctement.	Remplacez le thermocouple.
	Présence de rouille sur le thermo couple.	Nettoyez le contact.
	La flamme du brûleur ne touche pas le thermocouple.	Contactez un réparateur agréé.
La flamme du brûleur est trop basse. <i>REMARQUE: L'appareil fonctionne à un rendement moindre en dessous de 40°F (5°C).</i>	La pression de gaz est trop basse.	Réglez la commande sur "OFF" et remplacez la bombonne.
	La température extérieure est inférieure à 40°F (5°C) et le réservoir n'est plein qu'au 1/4 de sa capacité.	Utilisez une bombonne pleine.
	Le bouton de commande est complètement ouvert ("ON")	Vérifiez que le brûleur et les orifices ne sont pas bouchés.
La lueur de l'émetteur n'est pas uniforme.	La pression de gaz est trop basse.	Remplacez la bombonne.
	L'appareil n'est pas à niveau.	Mettez l'appareil à niveau.
	Le brûleur est incliné.	Redressez le brûleur.
Accumulation de carbone.	Le socle n'est pas sur une surface à niveau.	Placez l'appareil sur une surface à niveau
	L'appareil est à niveau.	Nettoyez le brûleur
	Saleté ou film sur le réflecteur et l'émetteur.	Nettoyez le réflecteur et l'émetteur.
Fumée épaisse noire.	Le brûleur est bouché	Retirez l'obstacle et nettoyez l'intérieur et l'extérieur du brûleur.

Entretien

Afin que votre système de chauffage puisse fonctionner à plein rendement pendant des années, veillez à procéder régulièrement à l'entretien de l'appareil:

- Veillez à ce que les surfaces extérieures demeurent propres.
- Utilisez le l'eau savonneuse tiède pour nettoyer. N'utilisez jamais des produits de nettoyage inflammable ou corrosifs.
- Lorsque vous nettoyez l'appareil, assurez-vous que la zone autour du brûleur et de la veilleuse demeure toujours sèche. Si la commande de gaz est submergée dans de l'eau, NE PAS l'utiliser. Elle devra être remplacée.

Rien ne doit gêner le flux d'air. Veillez à ce que les commandes, le brûleur, et les ouvertures permettant la circulation de l'air demeurent propres. Les indices permettant de déterminer qu'il existe un obstacle sont les suivants:

- Il existe une odeur de gaz et la crête de la flamme est extrêmement jaune.
- L'appareil n'atteint PAS la température désirée
- La lueur de l'appareil n'est pas du tout uniforme.
- L'appareil émet des bruits.

Les araignées et les insectes peuvent s'introduire dans le brûleur et les orifices de l'appareil. Ces obstacles risquent de provoquer des problèmes et de présenter un danger lors de l'utilisation de l'appareil. Nettoyez les ouvertures du brûleur en utilisant un déboureur-pipe. Il est possible d'utiliser de l'air comprimé afin de déloger les petites particules.

Les résidus de carbone risquent de provoquer un incendie. Nettoyez le dôme et le moteur avec le l'eau tiède savonneuse pour nettoyer des résidus de carbone.

Note: Dans une atmosphère saline (à proximité de la mer), les traces de rouille apparaissent plus vite qu'à la normale. Vérifiez régulièrement que l'appareil ne présente pas de points de rouille et réparez-les rapidement si nécessaire.

CONSEIL:

Utilisez un lustrant automobile afin que l'appareil conserve son brillant. Appliquez le produit sur les surfaces extérieures du montant vers le bas. N'appliquez pas de produit de lustrage sur la grille de l'émetteur, le dôme ou le dispositif de protection en fil métallique.

Remisage

Entre chaque utilisation:

Réglez le bouton de commande sur "OFF" (arrêt).

Débranchez la bouteille de gaz.

Remarque: Lorsque vous n'utilisez pas l'appareil, veuillez débrancher la bonbonne.

La bonbonne de propane doit être débranchée lorsque vous n'utilisez pas l'appareil.

Remisez l'appareil en le plaçant debout à l'abri des intempéries (la pluie, la pluie verglaçante, la grêle, la neige, la poussière et autres débris).

Si vous le souhaitez, recouvrez l'appareil afin de protéger les surfaces extérieures.

Remarque: Attendez que l'appareil ait refroidi avant de le couvrir.

Si vous ne comptez pas utiliser l'appareil pendant une longue période ou lors de son transport:

Réglez le bouton de commande sur "OFF" (arrêt).

Débranchez la bouteille propane et placez-la à l'extérieur dans un endroit bien aéré.

Remisez l'appareil en le plaçant debout à l'abri des intempéries (la pluie, la pluie verglaçante, la grêle, la neige, la poussière et autres débris).

Si vous le souhaitez, recouvrez l'appareil afin de protéger les surfaces extérieures.

Remarque: Attendez que l'appareil ait refroidi avant de le couvrir.

Ne laissez jamais une bouteille de propane en plein soleil ou en contact direct avec une chaleur excessive.

Entretien et réparation

Pour toute assistance afin de vous procurer des pièces de rechange ou afin de pouvoir réparer des pièces endommagées ou défectueuses, composez le 1-800-762-1142 ou contactez notre service à la clientèle par courrier électronique à customerservice@uniflame.com. Veuillez fournir le numéro du modèle et son numéro de série. Ces numéros se trouvent sur la plaque signalétique à l'intérieur de l'appareil.

Attention: Utilisez uniquement le régulateur de pression et le tuyau fournis avec l'appareil ou un régulateur et un tuyau de rechange recommandés par le fabricant. Utilisez uniquement des pièces de rechange d'origine. Le non-respect de cette consigne ainsi que toute modification des pièces risque d'annuler la garantie et de créer des conditions dangereuses.

Attention: Laissez l'appareil refroidir avant de procéder à son entretien ou à sa réparation.

POUR VOTRE SÉCURITÉ:

Ne tentez jamais de remplir une bouteille jetable vide. Vous risquez de provoquer une explosion. Pour vous débarrasser d'une bouteille jetable vide, contactez votre préposé aux poubelles chargé de l'enlèvement des ordures de ce genre ou un centre de recyclage.

Ne pas percer ni incinérer.

Garantie

Période de garantie

L'appareil est garanti pour une durée d'un (1) an à partir de la date d'achat par le premier acheteur.

Termes de la garantie

Ce produit a été fabriqué par Uniflame Corp. 1817 Kenosha Road. Zion Illinois 60099. 1-800-762-1142.

Le fabricant s'engage à couvrir toute pièce ayant été déterminée défectueuse en raison d'un vice de fabrication ou de matériaux pour un (1) an à partir de la date d'achat par le premier acheteur.

Il est obligatoire de fournir une preuve d'achat avant de pouvoir bénéficier des services offerts par la garantie. Le reçu de vente et la validation de la carte d'enregistrement sont des pièces valables et peuvent servir de preuve d'achat.

Le fabricant réparera ou remplacera au choix toute pièce ayant été expédiée "port payé" aux États-Unis.

Il n'existe aucune autre garantie expresse ou implicite.

Limitation de la garantie

Le fabricant NE couvrira PAS:

Le montage et la mise en marche

Le réglage normal du brûleur

Le nettoyage et l'entretien général

Les dommages survenus lors du transport

Tout usage incorrect ayant été déterminé par le fabricant

Les dégâts et réparations provoqués par un réparateur non-agréé ou l'emploi de pièces non approuvées.

Tout montage incorrect (par ex: montage sans régulateur, raccordement erroné, etc.)

Les dégâts ou réparations liées aux toiles d'araignées et nids d'insectes.

Les dégâts résultant de conditions météorologiques.

Marche à suivre pour bénéficier de la garantie

Pour toute maintenance ou pièce de rechange, veuillez composer le 1-800-762-1142 pour obtenir le numéro d'autorisation vous permettant de renvoyer la pièce et des instructions détaillées.

Toute pièce devant être renvoyée doit être postée "port payé".

Droits juridiques

Personne n'est autorisé à octroyer d'autre garantie de la part du fabricant.

CETTE GARANTIE REMPLACE TOUTE AUTRE GARANTIE EXPRESSE OU IMPLICITE, VERBALE OU ÉCRITE, Y COMPRIS MAIS SANS EXCLURE TOUTES LES GARANTIES DE COMMERCIALITÉ OU POUR UN USAGE PARTICULIER.

UNIFLAME NE POURRA ÊTRE TENUE RESPONSABLE DE DOMMAGES DIRECTS OU INDIRECTS RÉSULTANTS D'UN PRODUIT DÉFECTUEUX Y COMPRIS MAIS SANS EXCLURE TOUTE PERTE DE REVENU OU DE BÉNÉFICES, ARRÊT DE TRAVAIL OU TOUTE AUTRE THÉORIE JURIDIQUE QUI POURRAIT ÊTRE LA BASE D'UNE RÉCLAMATION.

L'ACHETEUR ASSUME TOUS LES RISQUES LORS DU MONTAGE ET DE L'UTILISATION DE CET APPAREIL. LE NON-RESPECT DES CONSIGNES DE SÉCURITÉ DE CE MANUEL RISQUE D'ENTRAÎNER DES BLESSURES GRAVES VOIR LA MORT OU DES DÉGÂTS MATÉRIELS.

Certains états ne permettent pas la limitation de la durée de toute garantie implicite ni l'exclusion ou la limitation de garantie implicite en ce qui concerne les dommages directs et indirects.

Cette garantie vous donne certains droits spécifiques aux yeux de la loi. Il est possible que vous ayez d'autres droits variant d'un état à l'autre.

Étant donné qu'en tant que fabricant nous perfectionnons nos produits continuellement, nous nous réservons le droit de modifier les caractéristiques de cet appareil ou/et sa conception sans préavis

Caractéristiques techniques

Caractéristiques techniques

Certification internationale ACNOR (CSA 5.90)
Norme CAN 1-2.23-M82 (Canadian National Standard)

Puissance:

Maximum 14,000 BTU/heure entrée

Périmètre chauffé:

Jusqu'à 6 mètres de diamètre

Carburant:

Propane liquide (gaz LP)

Type de bouteille:

20 lbs / 5 galons (9 kg / 18,9 litres)
OU
14.1 oz. (400 grammes)
16.4 oz. (465 grammes)

Pression du gaz d'alimentation:

Maximum – 150 PSI
Minimum – 5 PSI

Pression: collecteur et tubulure:

11 po. (27,9 cm) CE.

Pression d'alimentation:

0.41 psig (11.00 po./27,9 cm dans CE)

Moteur:

IPP E8

Dispositif de sécurité:

Extinction à 100% des brûleurs
Contacteur d'arrêt en cas d'inclinaison

Fabricant:

UniFlame Corporation

Lieu de Fabrication:

Chine

**Pour toute assistance appeler le 1-800-762-1142
Ne pas renvoyer cet appareil au point de vente.**

Endless Summer 



UniFlame Corporation
A wholly owned subsidiary of Blue Rhino Corporation (NASDAQ-RINO)
1817 N. Kenosha Road, Zion, IL 60099 USA
1.800.762.1142, www.bluerhino.com

©2002 CPD Associates, All Rights Reserved
Made in China

UniFlame Corporation
Une filiale appartenant en propriété exclusive à Blue Rhino Corporation
(NASDAQ-RINO)
1817 N. Kenosha Road, Zion, IL 60099 ETATS-UNIS
1.800.762.1142, www.bluerhino.com

©2002 CPD Associates, Tous droits réservés
Fabriqué en Chine